

**209008-01CF**

**A** **L3516** **x20**

**B** **8x30 mm.** **x12**

**C** **ø16 mm.** **x6**

**D** **x6**

**E** **7x60 mm.** **x6**

**L4530** **4.5x30 mm.** **x5**

**M11** **3.5x16 mm.** **x4**

**P** **6x11 mm.** **x4**

**R** **x8**

**R1** **x4**

**T20** **ø20 mm.** **x6**

**H2T** **209008-01CC** **x2**

**C0** **x2**

**L15** **4x15 mm.** **x4**

**209493-07GU1**

**CL** **x1**

**CR** **x1**

**DR** **x1**

**DL** **x1**

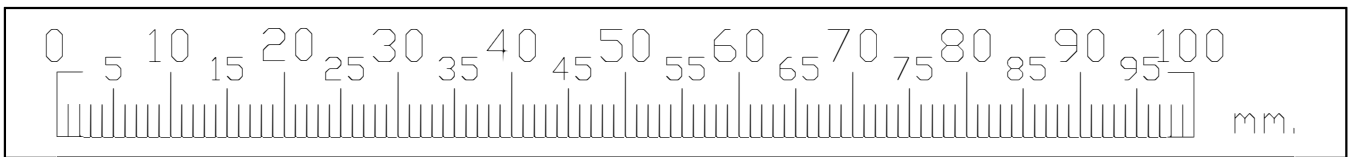
**531010-01SCFS**

**C1** **ø12 mm.** **x4**

**D1** **x4**

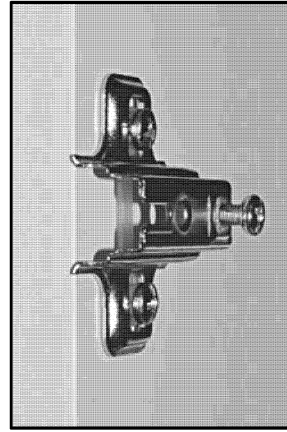
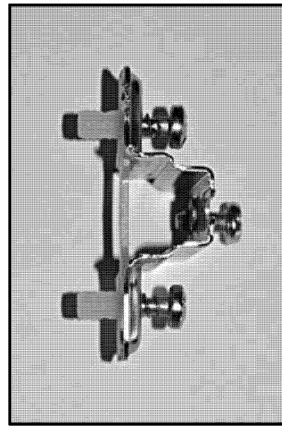
**F21** **205124-06PIE** **x5**

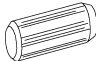
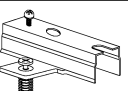
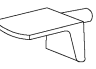
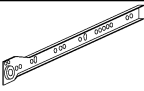


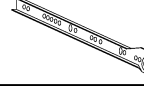
**ø 60 mm**  
**h 20 mm**

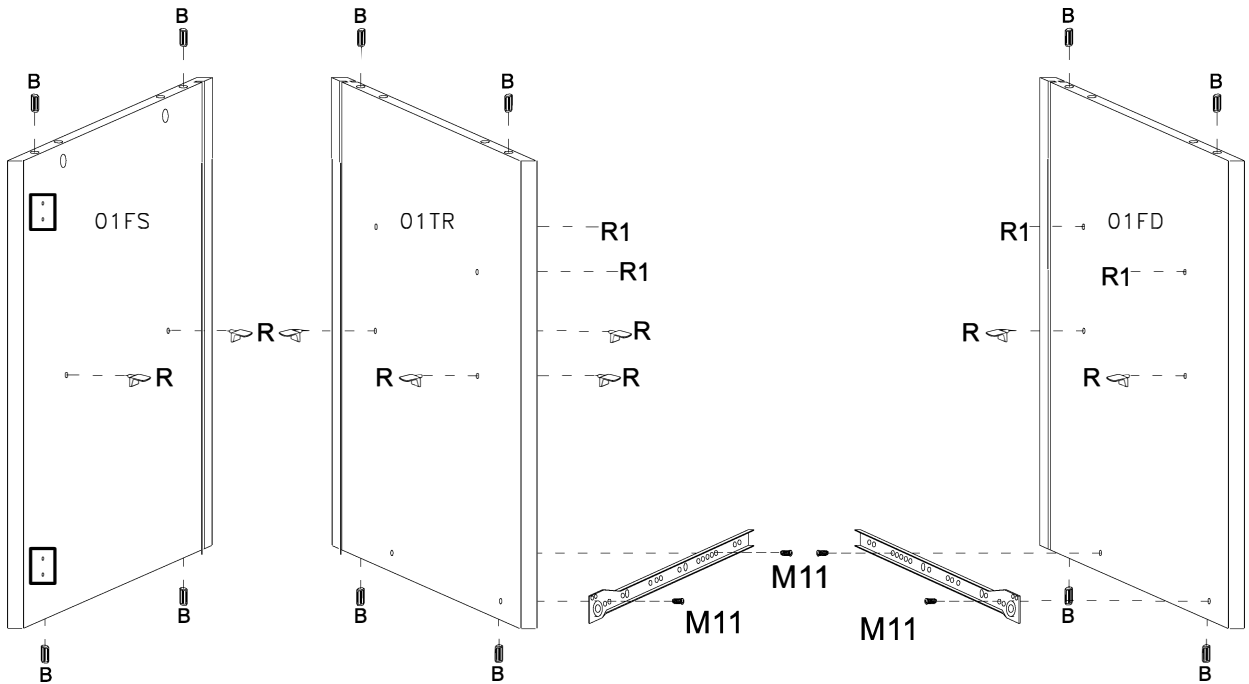


# 1

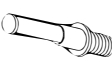
## H2T

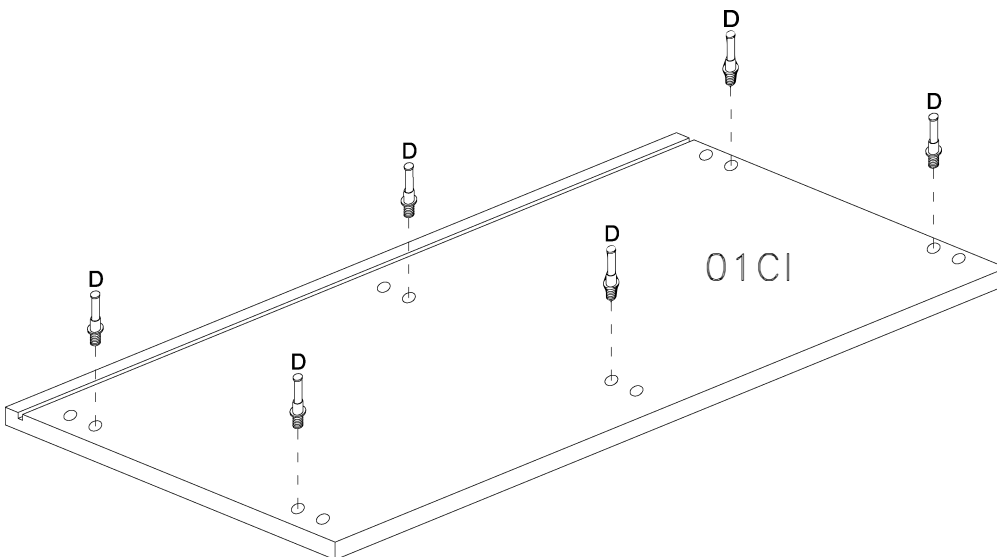


<b>B</b>	 8x30 mm.	<b>x12</b>
<b>H2T</b>		<b>x2</b>
<b>R</b>		<b>x8</b>
<b>CL</b>		<b>x1</b>
<b>M11</b>	 6x11 mm.	<b>x4</b>
<b>R1</b>		<b>x4</b>
<b>CR</b>		<b>x1</b>

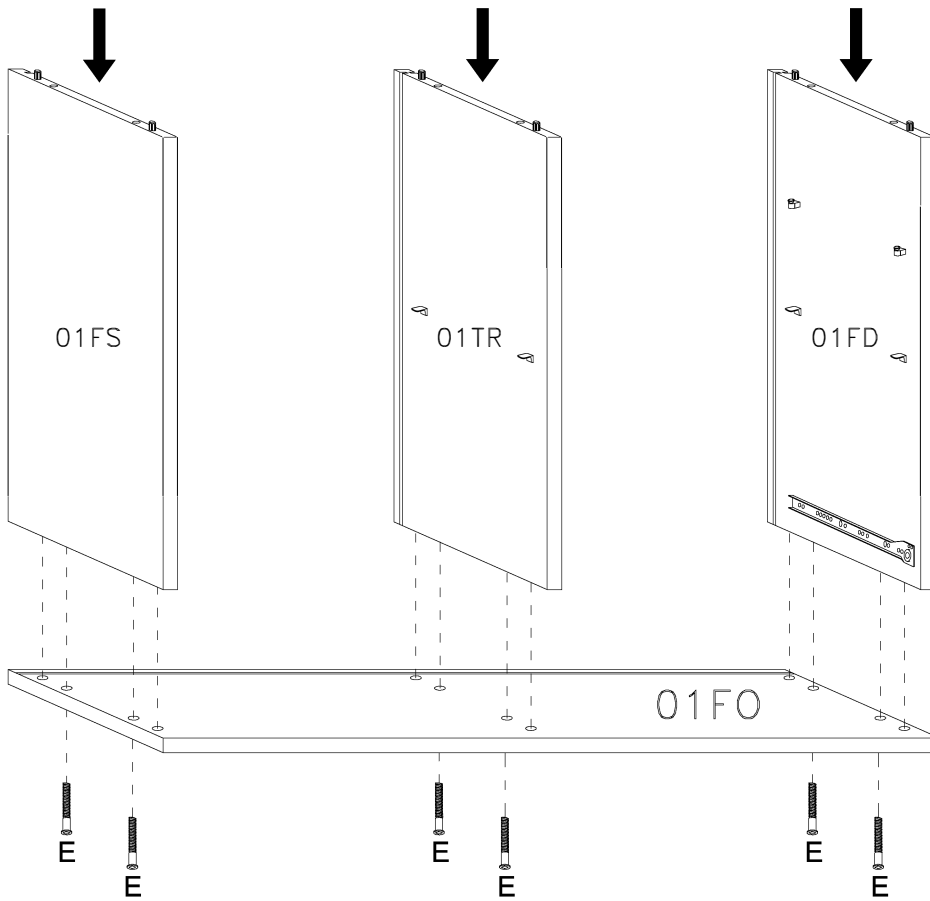




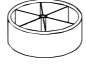
# 2

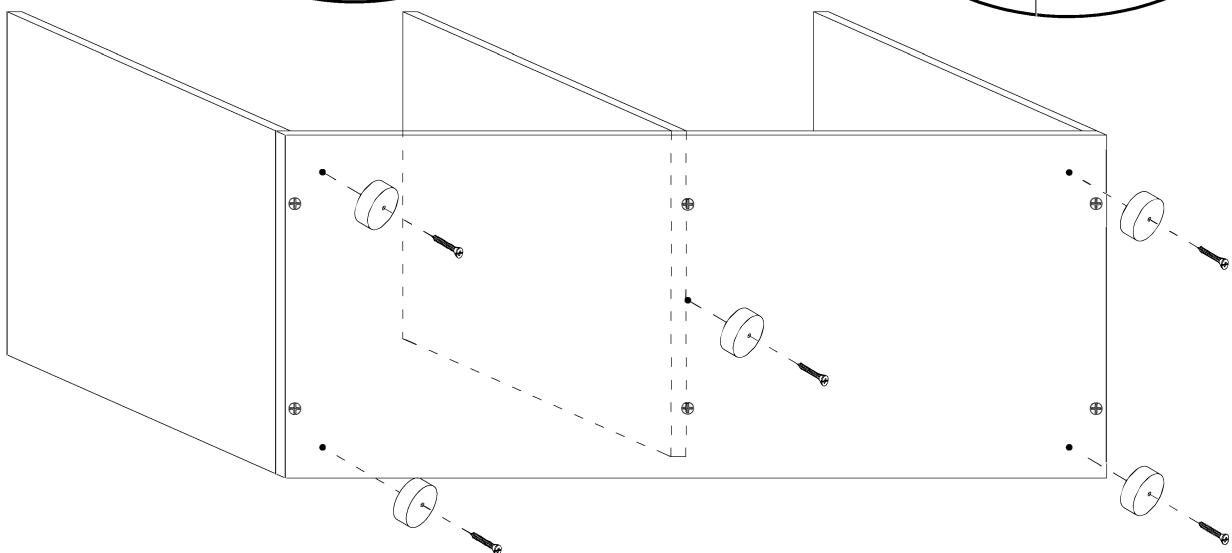
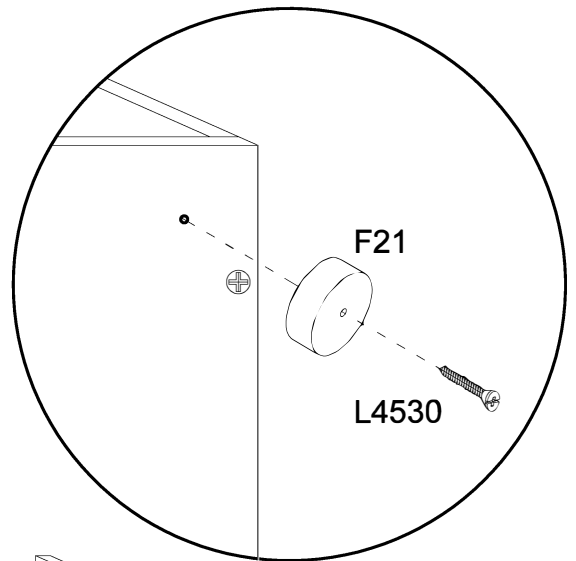
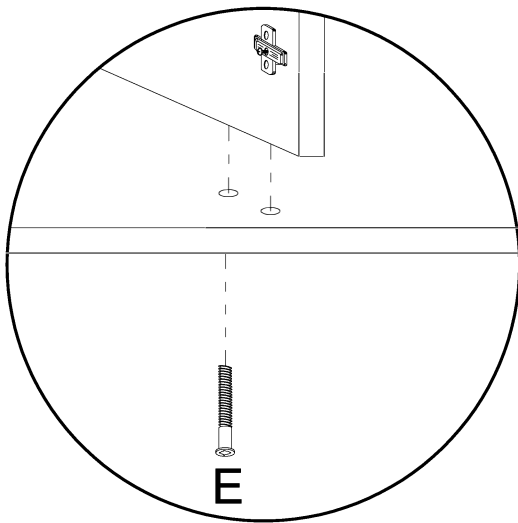
<b>D</b>	 x6
----------	---



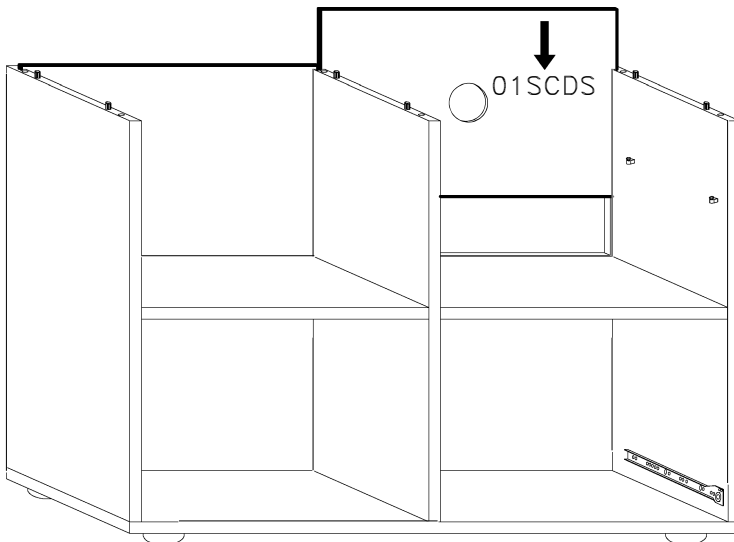
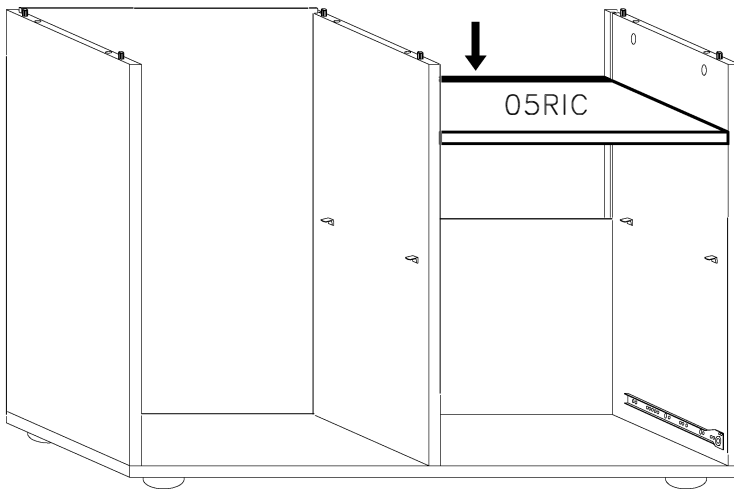
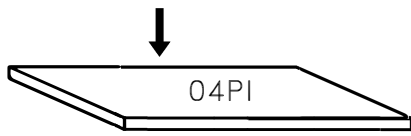
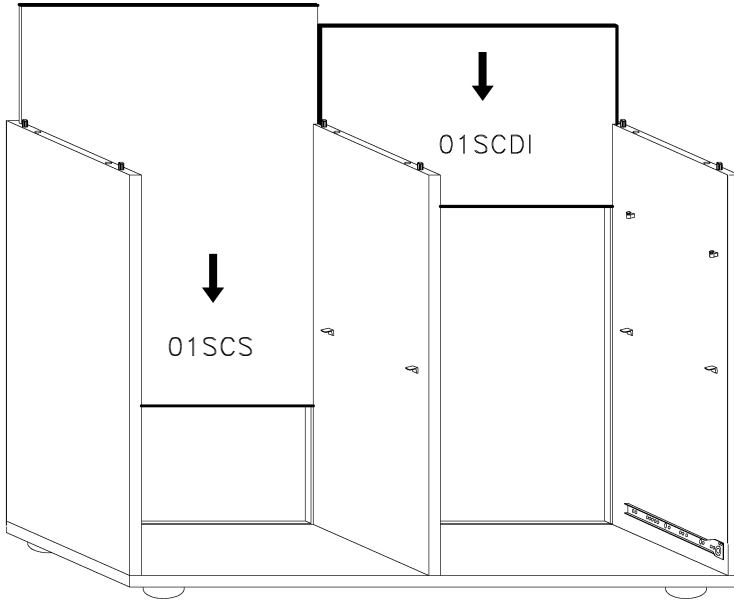
3



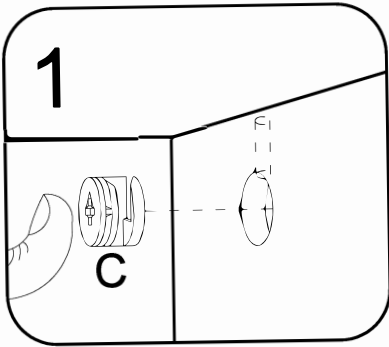
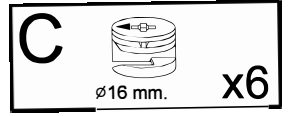
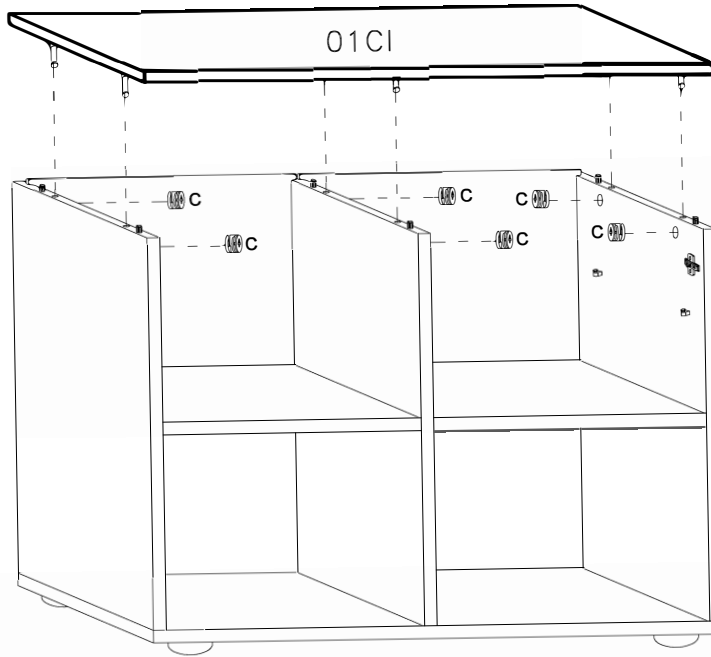
<b>E</b>	 7x60 mm.	<b>x6</b>
<b>L4530</b>	 4.5x30 mm.	<b>x5</b>
<b>F21</b>	 Ø 60 mm h 20 mm	<b>x5</b>



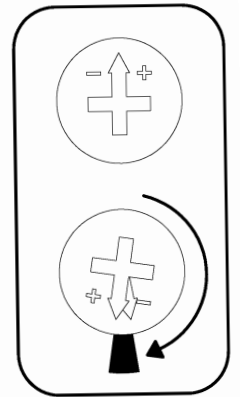
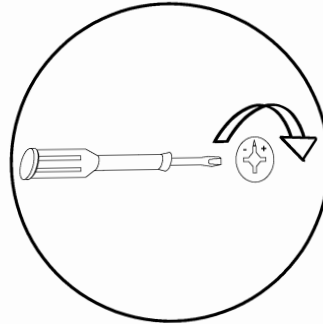
4



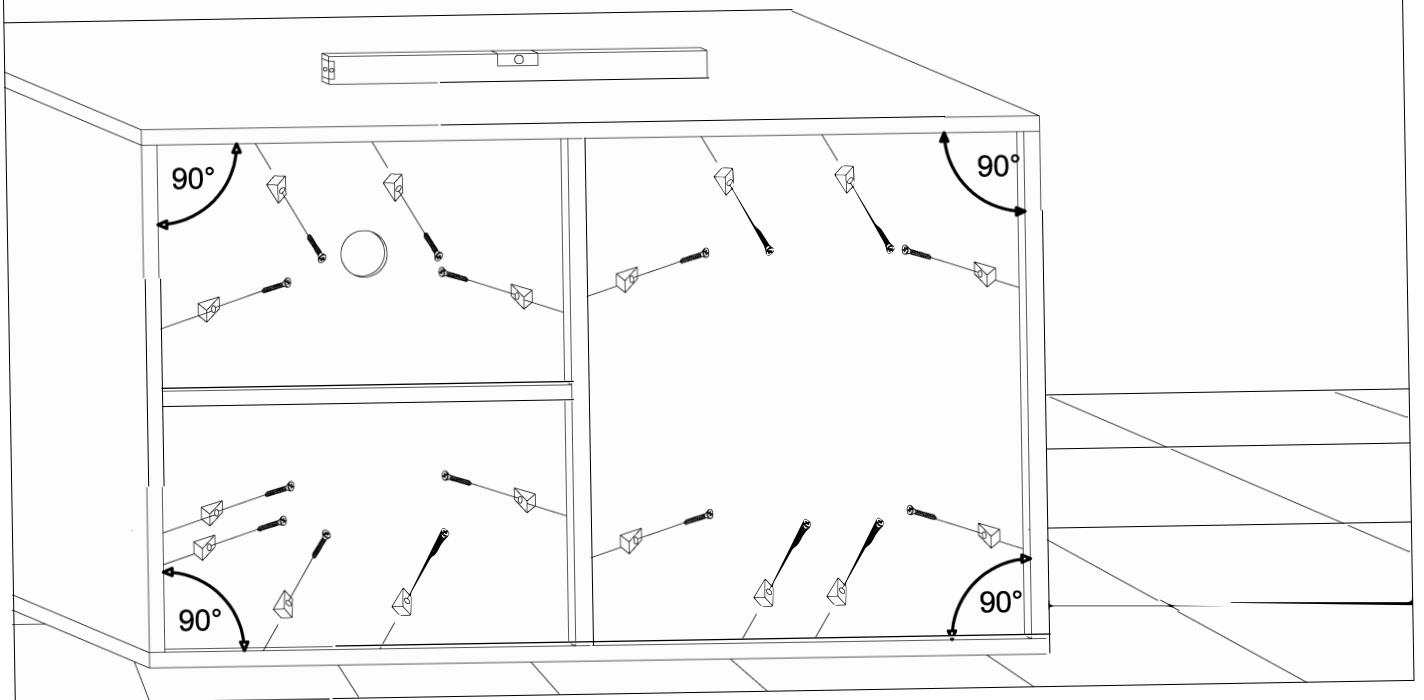
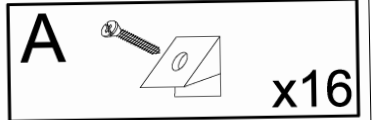
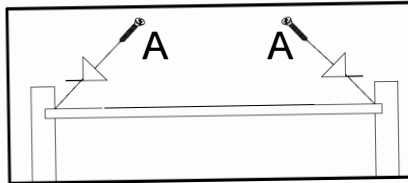
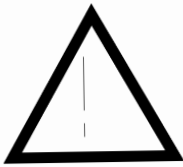
5



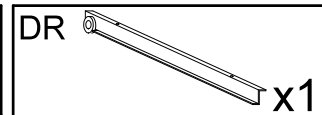
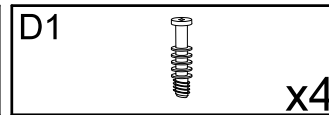
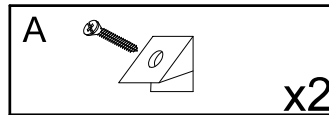
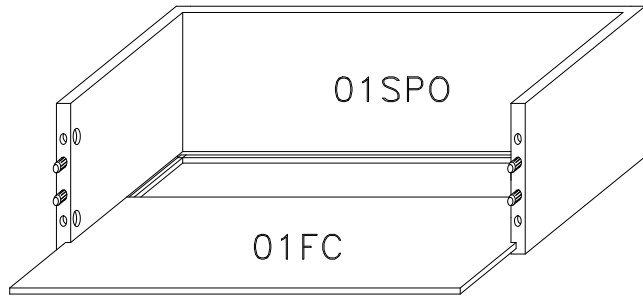
2



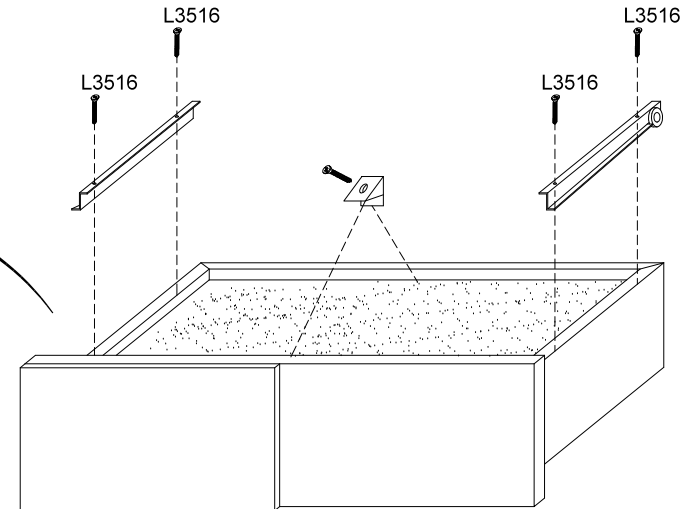
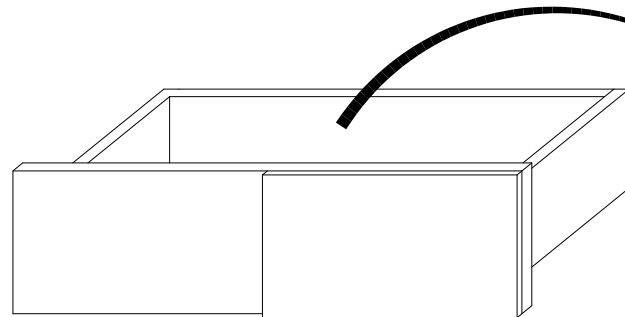
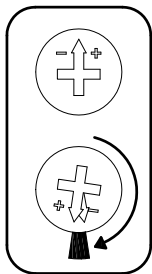
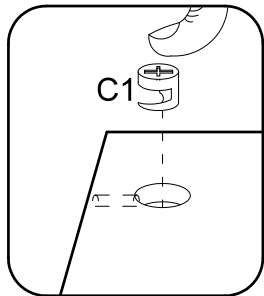
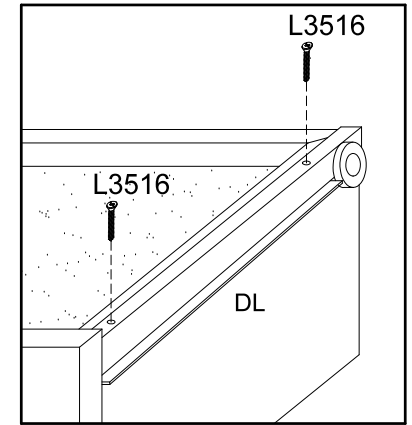
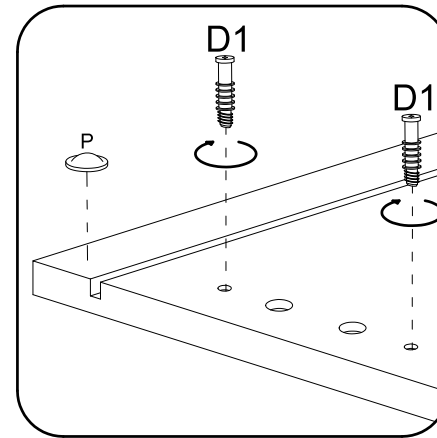
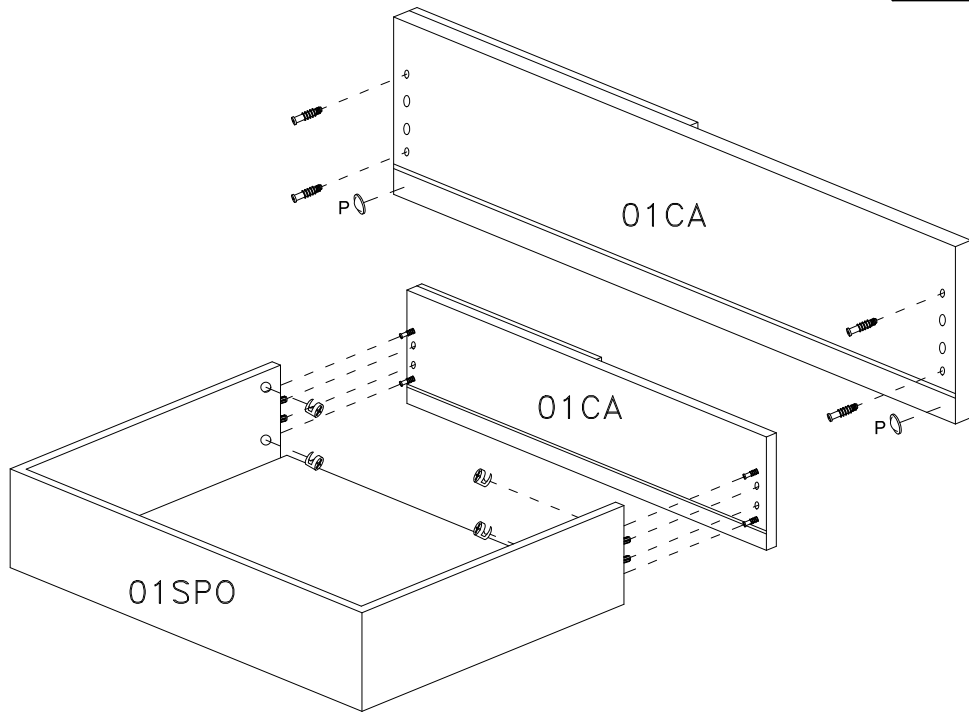
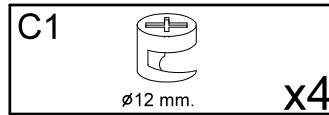
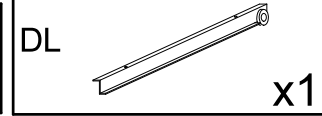
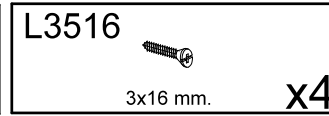
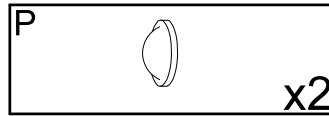
6



7



8 / 10





8

